

Unfortunately there are 2 small errors in Amazing Grey

Page 2: The white background fabric for the circles of part B.	
Fabric 27	Cut 5 strips, 5" x 42"
	We need 144 white spikes total using this fabric. Cut 72 pieces 5" x 2½". Cut 17 pieces 5" x 2½" from each of the first 4 strips = 64, and 9 pieces from the last strip. When you cut fabric 27 this way, you have cut the 72 (73) fabric pieces for the 144 spikes made of fabric 27. (We cut 1 extra piece to compensate foundation point 1. See the cutting instructions on the next page)

This is what it has to be.....

Page 2: The white background fabric for the circles of part B.	
Fabric 27	Cut 5 strips, 5" x 42"
	We need 144 white spikes total using this fabric. Cut 72 pieces 5" x 2½". Cut 16 pieces 5" x 2½" from each of the first 4 strips = 64, and 9 pieces from the last strip. When you cut fabric 27 this way, you have cut the 72 (73) fabric pieces for the 144 spikes made of fabric 27. (We cut 1 extra piece to compensate foundation point 1. See the cutting instructions on the next page)

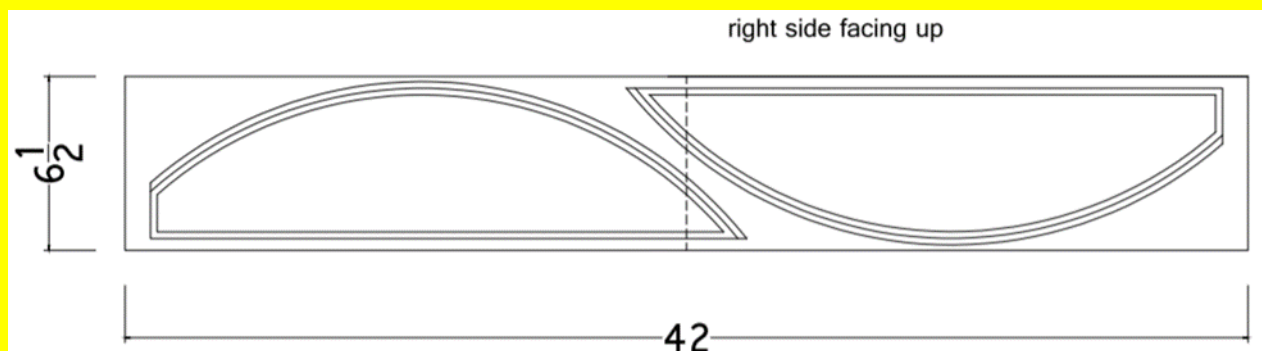
New cutting instructions Part G in Amazing grey.

Fabric 27	Fold fabric 27, the white fabric in half. Cut 2 strips 6½" by approximately 42". Cut the fabric on the center fold in half: you will have 4 pieces 6½" by approximately 21". Stack these 4 strips, with the right sides facing up , on top of each other. This is important because we don't want to make mirror pieces! Cut part G - right on top of the outside lines - 2 times to yield 4 G parts.
-----------	---

Please follow the next instructions to make this part work.

The section with the cutting changes and a new diagram will help you to cut Part G.

Fold fabric 27, the white fabric in half. Cut 2 strips 6½" by approximately 42".
 Cut the fabric on the center fold in half: you will have 4 pieces 6½" by approximately 21".
Open the fabric and place the 2 long strips of 6½" x approximately 42" with the right sides facing up, on top of each other.
 This is important because we don't want to make mirror pieces!



Place pattern part of part G according to this new diagram on top of the fabric.

Cut part G - right on top of the outside lines - 2 times to yield 4 G parts.

